

## Shackles

Standard shackles	3:1 - 3:2
Speciality shackles	3:3 - 3:5
Shackle SA	3:6
Clevis shackle GSA	3:6
Shackles, grade 8, type A	3:7
Shackles, grade 3	3:8 - 3:9
Stainles steel shackles	3:9 - 3:11
Commercial quality shackles	3:11

## Rigging screws

Rigging screw, grade 8, Red alloy	3:12
Rigging screw, hot dip galvanized	3:13
Turn buckle, open body	3:14
Rigging screw, hot dip galvanized, jaw-jaw, commercial	3:15
Stainless steel rigging screws	3:16
Rigging screw, hook-eye	3:16

### WARNING:

Failure to read, understand and comply with following instructions, working load limits and specifications in this publication could result in serious injury or damage to property.

# Gunnebo Lifting Standard Shackle No 854 and No 855

## Bow shackles with safety bolt

Standard: DNV 2.7-1 / U.S Fed. Spec. RR-C-271 - EN13889  
 DNV Type Approval No. S-5661 (WLL 2.0 to 25 tonnes)

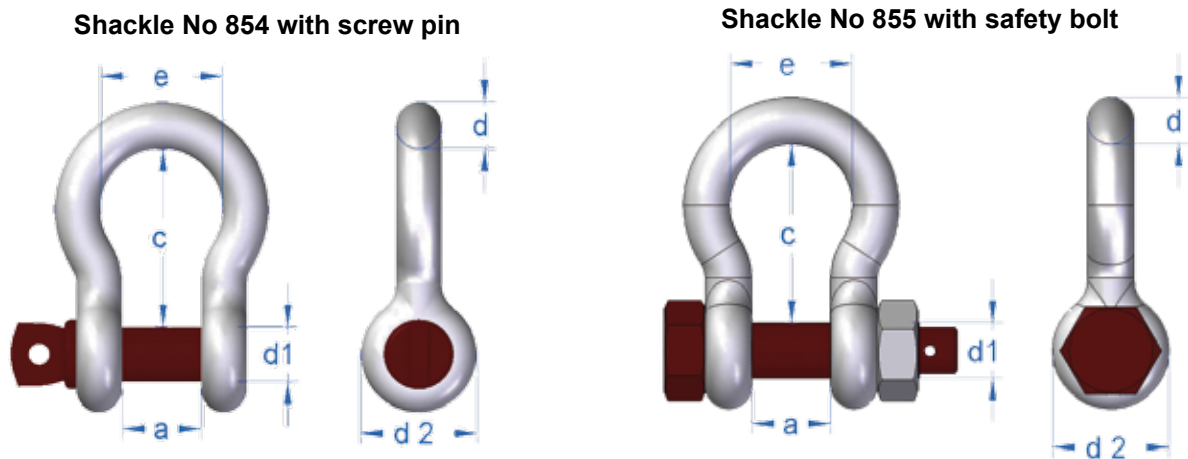
Material: High Tensile Steel, Quenched and tempered, Grade 6

Finish: All parts hot dip galvanized, brown painted bolts/pins on top of galv.

Safety factor: 6:1

Documentation: Test certificate and traceable 3.1 certificate

Temperature: -20°C to 200°C



Art. no. Safety bolt	Art. no. Screw pin	Measurement (mm)				Bow width e	Eye outer d2	WLL tonnes 6:1	Safety bolt kgs/100 pcs	Screw pin kgs/100 pcs
		Dia. Bolt d1 mm	Dia. body d	inner width a*	inner length c*					
-	A085405	6	5	10	22	16	13	0.33	-	2
A085506	A085406	8	6	12	29	20	16	0.5	7	6
A085508	A085408	10	8	13	32	21	20	0.75	13	11
A085509	A085409	11	9	16	36	26	22	1	17	15
A085511	A085411	13	11	18	43	29	26	1.5	25	21
A085513	A085413	16	13	21	47	33	33	2	42	37
A085516	A085416	19	16	27	60	42	40	3.25	70	65
A085519	A085419	22	19	31	71	51	47	4.75	120	110
A085522	A085422	25	22	37	84	58	50	6.5	170	150
A085525	A085425	28	25	43	95	68	58	8.5	250	220
A085528	A085428	32	28	46	108	74	64	9.5	340	310
A085532	A085432	35	32	52	119	83	72	12	480	420
A085535	A085435	38	35	57	132	89	74	13.5	700	600
A085538	A085438	42	38	60	146	98	84	17	900	800
A085545	A085445	50	45	74	178	127	105	25	1500	1350
A085552	A085452	57	50	83	197	138	127	35	2100	1900
A085556	-	65	57	95	222	160	140	42.5	2900	-
A085564	A085464	70	65	105	255	185	152	55	4100	3800
A085576	-	83	75	127	330	190	165	85	6200	-
A085589	-	95	89	146	380	235	203	120	11000	-

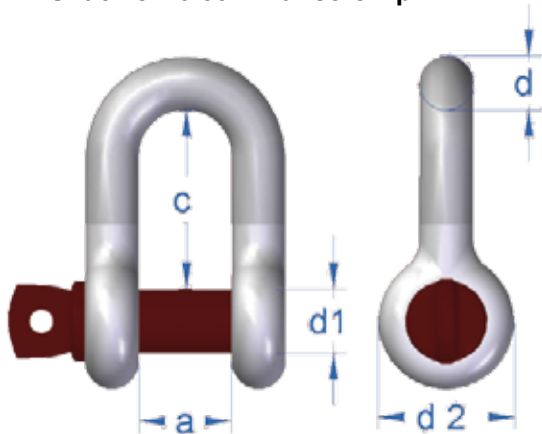
\* Forging tolerance: +/- 5% on inside width/length.

## Gunnebo Lifting Standard Shackle No 834 and No 835

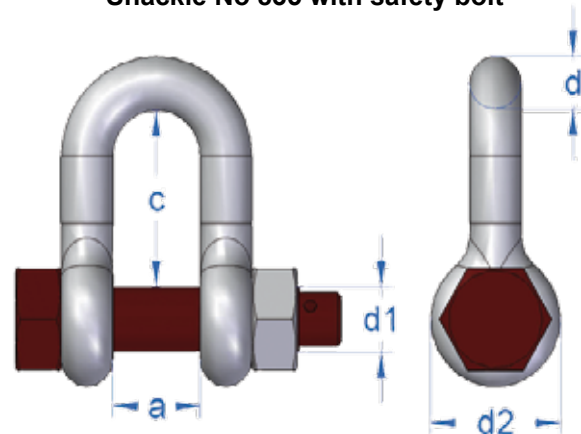
### Dee shackles

Standard:	DNV 2.7-1 / U.S Fed. Spec. RR-C-271 - EN13889
Material:	High Tensile Steel, Quenched and tempered, Grade 6
Finish:	All parts hot dip galvanized, brown painted bolts/pins on top of galv.
Safety factor:	6:1
Documentation:	Test certificate and traceable 3.1 certificate
Temperature:	- 20 °C to 200 °C (150 T 0 to 200 °C)

Shackle No 834 with screw pin



Shackle No 835 with safety bolt



3

Art. no. Safety bolt	Art. no. Screw pin	Measurement in mm				Eye outer d2	WLL tonnes 6:1	Safety bolt kgs/100 pcs	Screw pin kgs/100 pcs
		Diam. bolt d1	Diam. body d	Inner width a*	Inner length c*				
-	A083405	6	5	10	22	13	0.33	-	2
-	A083406	8	7	12	25	12	0.5	-	6
-	A083408	10	9	13.5	27	16	0.75	-	11
-	A083409	11	10	17	31	20	1	-	15
-	A083411	12	11	18.5	37	22	1.5	-	21
A083513	A083413	16	1/2" - 13	21	41	33	2	30	25
A083516	A083416	19	5/8" - 16	27	51	40	3.25	60	55
A083519	A083419	22	3/4" - 19	31	60	47	4.75	110	100
A083522	A083422	25	7/8" - 22	37	71	50	6.5	150	130
A083525	A083425	28	1" - 25	43	81	58	8.5	220	190
A083528	A083428	32	1.1/8" - 28	46	90	64	9.5	310	280
A083532	A083432	35	1.1/4" - 32	52	100	72	12	420	360
A083535	A083435	38	1.3/8" - 35	57	111	74	13.5	560	460
A083538	A083438	42	1.1/2" - 38	60	122	84	17	750	650
A083545	A083445	50	1.3/4" - 45	74	149	105	25	1300	1150
A083552	A083452	57	2" - 50	83	171	127	35	1800	1600
**A083564	A083464	70	2.1/2 - 65	105	203	152	55	3900	

\* Forging tolerance: +/- 5% on inside width/length.

\*\* Safety factor 5:1

# Gunnebo Lifting Arctic Shackle No 856

## Bow shackles with safety bolt

Standard: DNV 2.7-1 / U.S. Fed. Spec. RR.C-271/EN-13889  
 DNV Type Approval No. S-5661 (WLL 2.0 to 25 tonnes)

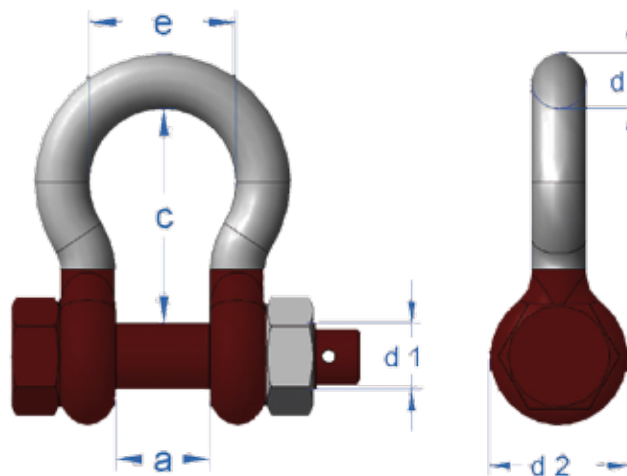
Material: Special Alloy Steel, Quenched and Tempered, Grade 8

Finish: All parts hot dip galvanized + brown colour marking

Safety factor: As per DNV 2.7.1 (8,0 - 6,0)

Documentation: Test certificate and traceable 3.1 certificate of the bow and the bolt in finished condition

Temperature: - 40 °C to 200 °C



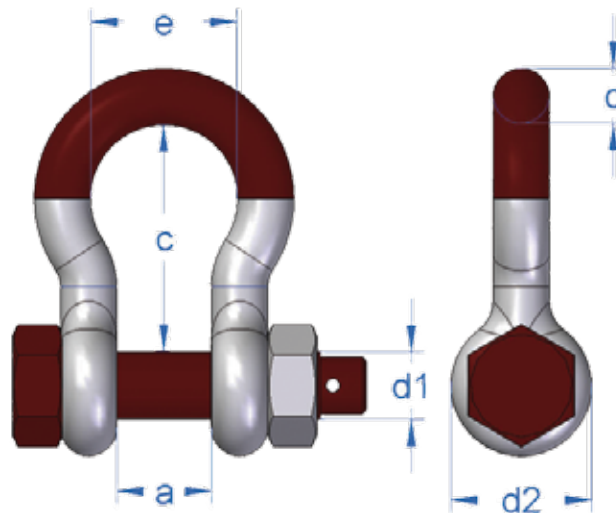
Art. no.	d1	Nominal size d	a	c	d 2	e	WLL tonnes	Weight with Safety Bolt
A085613	16	1/2" - 13	21	47	33	33	2	0.42
A085616	19	5/8" - 16	27	60	40	42	3.3	0.7
A085619	22	3/4" - 19	31	71	47	51	4.8	1.2
A085622	25	7/8" - 22	37	84	52	58	6.5	1.7
A085625	28	1" - 25	43	95	58	68	8.5	2.5
A085628	32	1.1/8" - 28	46	108	64	74	9.5	3.4
A085632	35	1.1/4" - 32	52	119	72	83	12	4.8
A085635	38	1.3/8" - 35	57	132	74	89	13.5	7
A085638	42	1.1/2" - 38	60	146	84	98	17	9
A085645	50	1.3/4" - 45	74	178	105	127	25	15
A085652	57	2" - 50	83	197	119	138	35	21
A085664	70	2 1/2" - 65	105	255	145	185	55	41
A085676	83	3" - 75	127	330	165	190	85	62
*A085689	95	3 1/2" - 95	146	380	203	235	120	110

\* Safety factor 5:1, temp. range -20 to 200 °C

## Gunnebo Lifting Super Shackle No 858

### Bow shackles with safety bolt

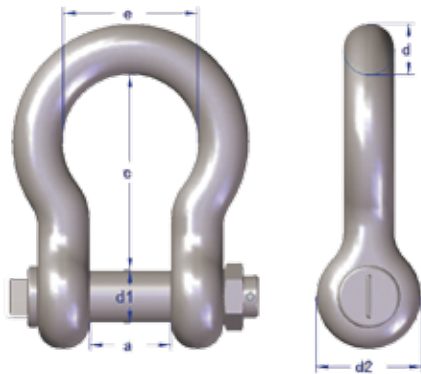
Standard:	U.S. Fed. Spec. RR.C-271 Type IVA Class 3, Grade B
Material:	High Tensile Steel. Quenched and Tempered, Grade 8
Finish:	All parts hot dip galvanized + brown colour marking
Safety factor:	5:1
Documentation:	Test certificate and traceable 3.1 certificate



# 3

Art.no	d1	Dim d	a	c	d2	e	WLL tonnes	Weight
A085813	16	1/2" - 13	21	51	33	33	3.3	0.42
A085816	19	5/8" - 16	27	60	40	42	5	0.7
A085819	22	3/4" - 19	31	71	47	51	7	1.2
A085822	25	7/8" - 22	37	84	52	58	9.5	1.7
A085825	28	1" - 25	43	95	58	68	12.5	2.5
A085828	32	1.1/8" - 28	46	108	64	74	15	3.4
A085832	35	1.1/4" - 32	52	119	72	83	18	4.8
A085835	38	1.3/8" - 35	57	132	74	89	21	7
A085838	42	1.1/2" - 38	60	146	89	99	30	8.8
A085845	50	1.3/4" - 45	74	178	105	126	40	15
A085857	57	2" - 57	83	197	133	138	55	22
A085870	70	2.1/2" - 70	105	260	159	180	85	38
A085883	83	3.1/4" - 83	127	330	171	190	120	70
A085895	95	4" - 95	144	381	215	238	150	110

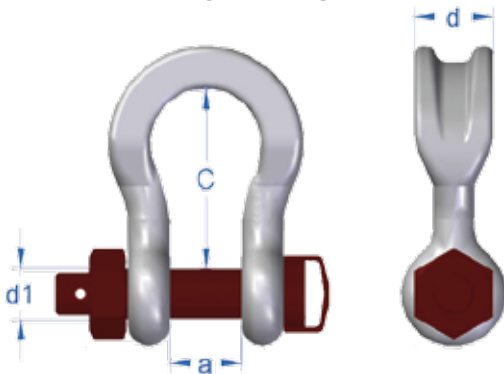
## Heavy Duty Shackle no. 857, painted



Art. no.	d1	d	a	c	e	d2	WLL tonnes	Weight kgs
A857105	108	105	165	400	275	216	150	153
A857120	130	120	175	500	290	242	200	210
A857125	140	125	200	540	305	254	250	285
A857140	150	140	200	600	305	280	300	340
A857170	175	170	225	650	325	330	400	570
A857180	185	180	250	700	350	360	500	630
A857200	205	200	275	700	375	410	600	980
A857201	215	200	300	700	400	430	700	1030
A857210	220	210	300	700	400	440	800	1100
A857240	240	240	340	700	420	480	1000	1500
A857250	280	250	400	800	500	560	1200	1900

Documentation: Test certificate and traceable 3.1 certificate can be supplied.

## Wide Body Sling Shackle no. 859



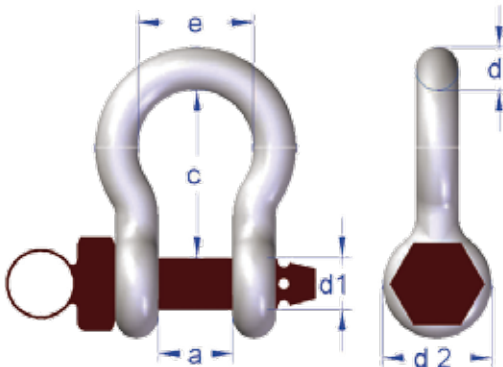
Art. no.	d1	d	a	c	e	WLL tonnes	Weight kgs
A085940	42	79	65	165	127	30	11
A085945	51	97	80	220	140	40	15
A085955	57	100	85	240	160	55	30
A085970	70	120	105	290	186	75	67
A085985	80	150	130	365	220	125	110

Documentation: Test certificate and traceable 3.1 certificate can be supplied.

## Gunnebo Lifting ROV Shackle no. 860

Threaded bolt with locking pin

Safety factor 6.0



Art. no.	d1	d	a	c	e	WLL tonnes	Weight kgs
A86032	35	32	52	100	60	12	4.8
A86038	42	38	60	122	60	17	9
A86045	50	45	74	149	60	25	15
A086052	57	50	83	197	60	35	20
A086064	70	65	106	255	60	55	41

Documentation: Test certificate and traceable 3.1 certificate can be supplied.

## Shackle SA

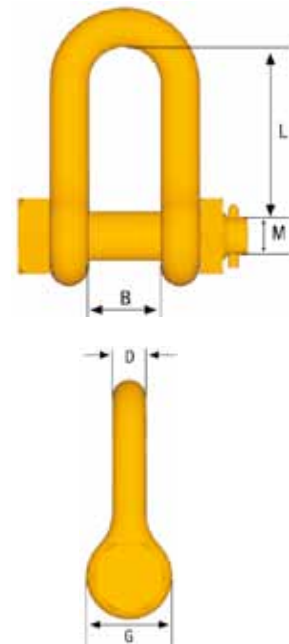
Acc. to EN 1677-1

Grade 8

Classic

Finish: Yellow painted  
 Material: Alloy steel  
 Safety factor: 4:1

Art. no.	Code	WLL tonnes	For chain dim. mm	L	B	D	G	M	Weight kgs appr.
Z100706	SA-7/8-8	2	7, 8	30	15	8	20	M10	0.1
Z298728	SA-10-8	3.2	10	52	24	13	35	M16	0.4
Z292528	SA-13-8	5.4	13	65	28	16	42	M20	0.7
Z293024	SA-16-8	8	16	72	30	18	46	M22	1
Z299622	SA-19-8	11.5	19	86	36	22	55	M27	1.7
Z294122	SA-22-8	15.5	22	94	40	25	62	M30	2.5
Z304328	SA-26-8	21.6	26	116	48	32	75	M39	5.2



3

## Clevis shackle GSA

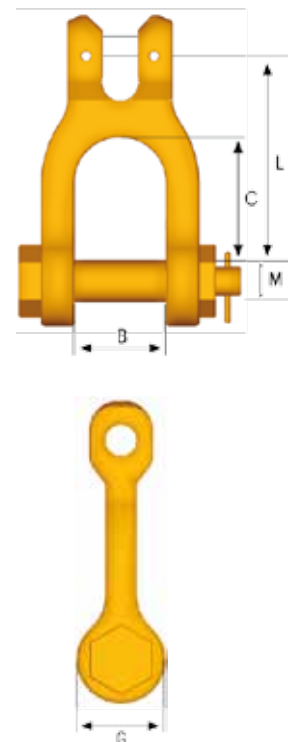
Acc. to EN 1677-1

Grade 8

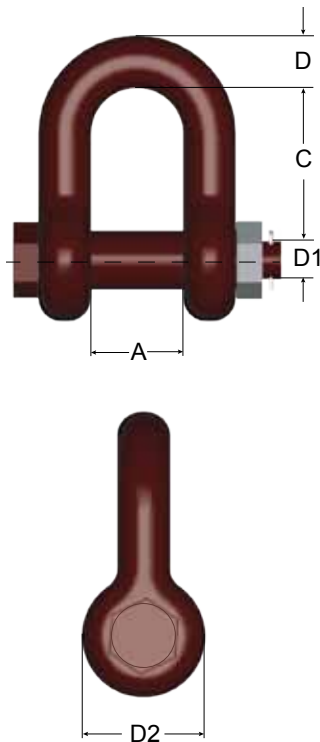
Classic

Finish: Yellow painted  
 Material: Alloy steel  
 Safety factor: 4:1

Art. no.	Code	WLL tonnes	For chain dim. mm	B	C	G	L	M	Weight kgs appr.
Z700882	GSA-7/8-8	2	7, 8	32	36	34	60	16	0.4
Z700883	GSA-10-8	3.15	10	34	48	40	80	20	0.8
Z700884	GSA-13-8	5.3	13	50	65	44	98	22	1.4
Z700885	GSA-16-8	8	16	60	70	54	114	27	2.4



## Dee Shackle, Grade 8, type A

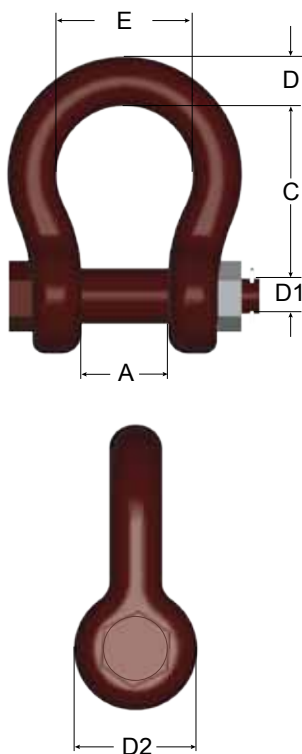


Standard: Dimensions acc. to standard SMS 1577  
 Finish: Brown painted body and bolt  
 Material: Special alloy steel, quenched and tempered  
 Safety factor: 4:1

Art. no.	Thread D1	WLL tonnes 4:1	Measurement (mm)				For chain dim. mm	Weight kgs/100 pcs
			A*	C*	D	D2		
A831310	M 10	2	15	30	8.5	20	7-8	10
A831312	M 12	3.2	20	39	11	28	10	20
A831316	M 16	5.4	24	52	13	33	13	40
A831320	M 20	8	28	65	16	42	16	65
A831322	M 22	10.5	30	72	18	46	18	90
A831324	M 24	12.5	32	78	19	50	20	110
A831327	M 27	15.5	36	86	22	55	22	170
A831330	M 30	19	40	94	25	62	25	250
A831333	M 33	23	44	103	28	68	26	310
A831339	M 39	32	48	116	32	75	30	450
A831342	M 42	40	52	129	35	82	32-33	570

\* Forging tolerance : +/- 5% on inside width/length.

## Bow Shackle, grade 8, type A



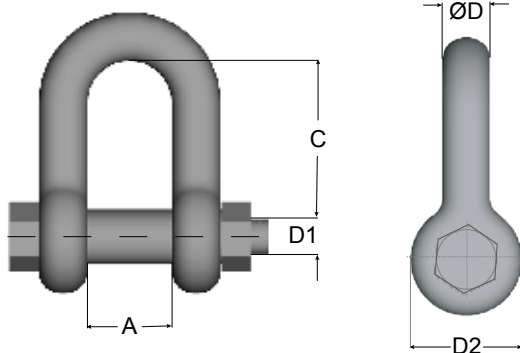
Standard: Dimensions acc. to standard SMS 1619  
 Finish: Brown painted body and bolt  
 Material: Special alloy steel, quenched and tempered.  
 Safety factor: 4:1

Art. no.	Thread D1	WLL tonnes	Measurement (mm)					For chain dim. mm	Weight kgs/100 pcs
			A*	C*	D	E	D2		
A851310	M 10	2	15	34	11	26	20	7-8	13
A851312	M 12	3.2	20	49	13	35	26	10	25
A851316	M 16	5.4	24	60	16	42	33	13	50
A851320	M 20	8	28	65	19	50	40	16	85

\* Forging tolerance : +/- 5% on inside width/length



## Dee Shackle, Grade 3, SMS 1577 A

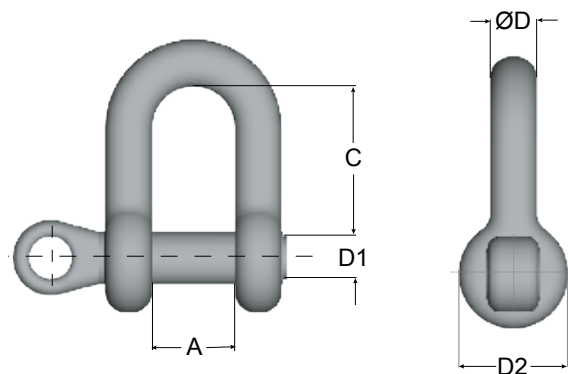


Finish: Hot dip galvanised  
 Material: St. 52-3 Normalized  
 Safety factor: 5:1

Art. no.	Thread D1	WLL tonnes	Measurement (mm)				Weight appr. kgs/100
			A*	C*	D	D2	
A771110	M 10	0.6	15	30	8.5	20	10
A771112	M 12	0.9	20	39	11	26	20
A771116	M 16	1.5	24	52	13	33	40
A771120	M 20	2.4	28	65	16	42	65

\* Forging tolerance: +/- 5 % on inside width/length.

## Shackle, grade 3, SMS 1577 C

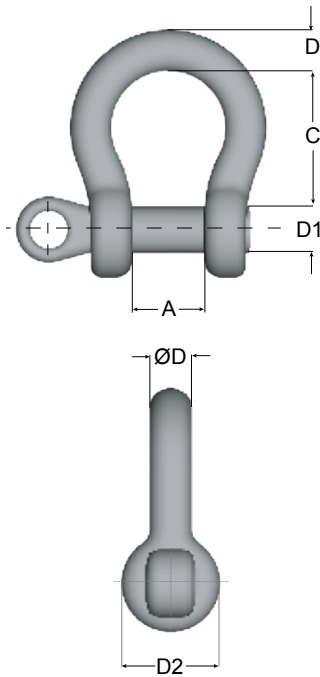


Surface treatment: Hot dip galvanised  
 Material: St. 52-3 Normalized  
 Safety factor: 5:1

Art. no.	Thread D1	WLL tonnes	Measurement (mm)				Weight appr. kgs/100
			A*	C*	D	D2	
A773110	M 10	0.6	15	30	8.5	20	10
A773112	M 12	0.9	20	39	11	26	20
A773116	M 16	1.5	24	52	13	33	40
A773120	M 20	2.4	28	65	16	42	65

\* Forging tolerance: +/- 5% on inside width/length.

## Bow shackle, grade 3, SMS 1619 B

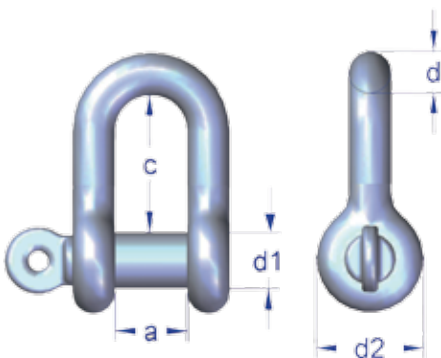


Surface treatment: Hot dip galvanised  
 Material: St. 52-3 Normalized  
 Safety factor: 5:1

Art. no.	Thread D1	WLL tonnes	Measurement (mm)					Weight appr. kgs/100
			A*	C*	D	D2	E	
A619110	M 10	0.6	15	34	11	20	26	13
A619112	M 12	0.9	20	45	13	26	35	25
A619116	M 16	1.5	24	55	16	33	42	50
A619120	M 20	2.4	28	65	19	40	50	85

\* Forging tolerance: +/- 5% on inside width/length.

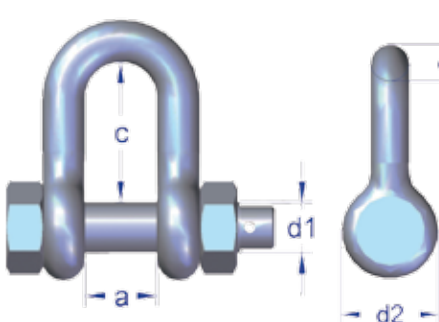
## Stainless Steel Shackle no. 730 Dee shackle with screw pin AISI 316



Art. no.	Dia. bolt D1 mm	d	a	c	d 2	MBL	Weight kgs
A073004	M4	4	8	15	9		0.01
A073005	M5	5	10	17	10	1.2	0.01
A073006	M6	6	12	24	12	1.8	0.03
A073008	M8	8	16	30	16	2.8	0.06
A073010	M10	10	20	38	20	4.3	0.1
A073012	M12	12	26	50	24	6.5	0.2
A073016	M16	13	24	52	33	12	0.3
A073020	M20	16	28	65	40	16	0.6
A073022	M22	19	30	72	48	20	0.9
A073024	M25	22	37	71	52	27	1.3

## Stainless Steel Shackle no. 735 Dee shackle with safety bolt AISI 316

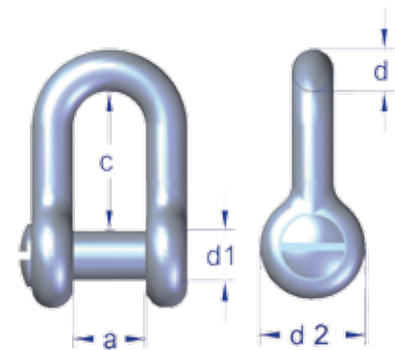
Safety factor: 6:1



Art. no.	WLL tonnes	Dia. bolt D1 mm	d1	d	a	c	d2	Weight kgs
A073510	0.6	M10	10	10	20	38	20	0.2
A073512	0.9	M12	12	12	26	50	24	0.3
A073516	1.5	M16	16	13	24	52	33	0.4
A073520	2.5	M19	19	16	28	65	40	0.7
A073522	3	M22	22	19	31	60	48	1.5
A073524	4.5	M25	25	22	37	71	52	1.3
A073533	7.5	M32	32	28	46	90	64	3.0
A073536	10	M35	35	32	52	100	72	4.1

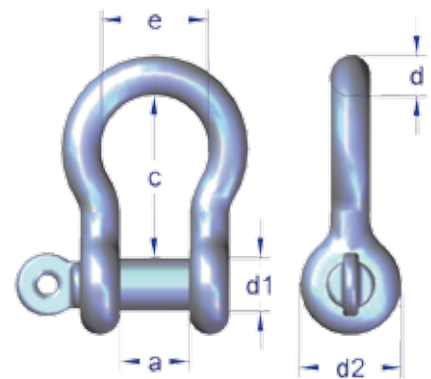
## Stainless Steel Shackle no. 732 Dee shackle with countersunk pin AISI 316

Art. no.	WLL tonnes	Dim. bolt D1 mm	d1	d	a	(c)	d2	Weight kgs
A073216	2.0	M16	16	13	24	52	32	0.3
A073217	2.0	M16	16	16	32	64	32	0.3
A073220	3.0	M20	20	16	28	65	40	0.6
A073222	3.0	M22	22	19	31	60	46	1.4



## Stainless Steel Shackle no. 750 Bow shackle with screw pin AISI 316

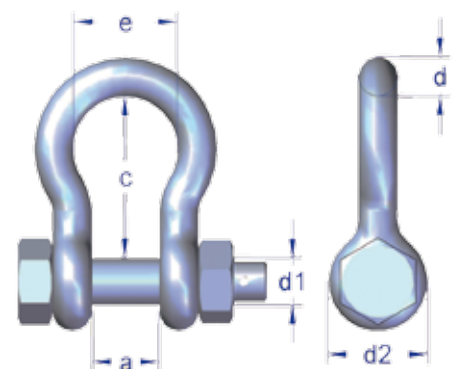
Art. no.	Dia. bolt D1 mm	d1	d	a	c	e	d2	MBL tonnes	Weight kgs
A075004	M4	4.0	4	8	18	13	9		0.01
A075005	M5	5.0	5	10	18	15	10		0.02
A075006	M6	6.0	6	12	22	17	12	1.2	0.03
A075008	M8	8.0	8	16	30	23	16	1.8	0.07
A075010	M10	10.0	10	20	36	27	20	2.8	0.11
A075012	M12	12.0	12	25	47	37	26	4.3	0.25
A075016	M16	13.0	13	25	47	33	33	12.0	0.33
A075020	M20	16.0	16	28	60	42	40	16.0	0.96
A075022	M22	19.0	19	31	71	51	48	20.0	1.0
A075024	M24	22.0	22	37	84	58	52	27.0	2.0



## Stainless Steel Shackle no. 755 Bow shackle with safety bolt AISI 316

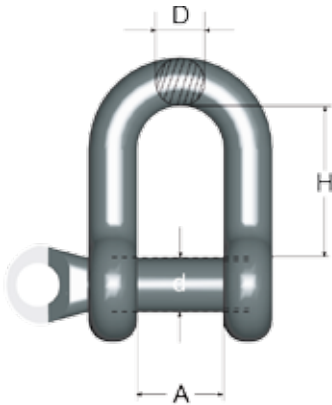
Safety factor: 6:1

Art. no.	WLL tonnes	Dia. bolt D1 mm	d1	d	a	c	e	d2	Weight kgs
A075510	0.6	M10	10	10	20	36	27	20	0.2
A075512	0.9	M12	12	12	25	47	37	26	0.3
A075516	1.5	M16	16	13	25	47	33	33	0.4
A075520	2.5	M20	20	16	28	60	42	40	0.8
A075522	3	M22	22	19	31	71	51	48	1.3
A075524	4.5	M24	25	22	37	84	58	52	1.7
A075533	7.5	M33	32	28	46	108	74	64	3.2
A075536	10	M36	35	32	52	119	83	72	5.2



## Commercial Dee Shackle, Stainless Steel Not approved for lifting applications

Material: AISI 304

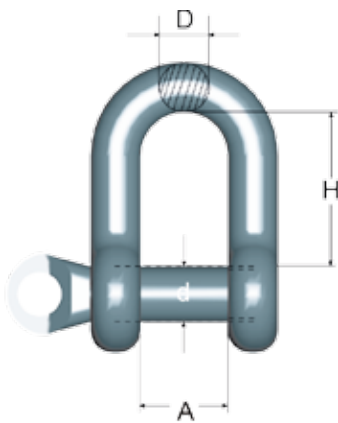


Art. no.	Dia Bolt d mm	Measurement (mm)			Packing qty
		D	A	H	
G007852050	M 5	5	10	19	20
G007852060	M 6	6	12	24	20
G007852080	M 8	8	16	32	20
G007852100	M 10	10	20	40	10
G007852120	M 12	12	25	48	10

Deviations in dimensions can occur.

## Commercial Dee Shackle Not approved for lifting applications.

Finish: Galvanised.



Art. no.	Dia. Bolt d mm	Dia. body D mm	Measurement (mm)		Weight ca kgs/100	Packing qty
			A	C		
G007835050	5	5	10	19	1.7	50
G007835060	6	6	13	25	3	50
G007835080	8	8	16	32	6.6	50
G007835100	10	10	19	38	11.6	50
G007835120	12	12	25	51	22	10
G007835160	16	16	32	64	50	10
G007835200	20	20	38	76	93	5
G007835220	22	22	44	89	132	5
G007835240	25	25	51	100	207	5

Deviations in dimensions can occur.

## Commercial Bow Shackle Not approved for lifting applications

Finish: Galvanised.

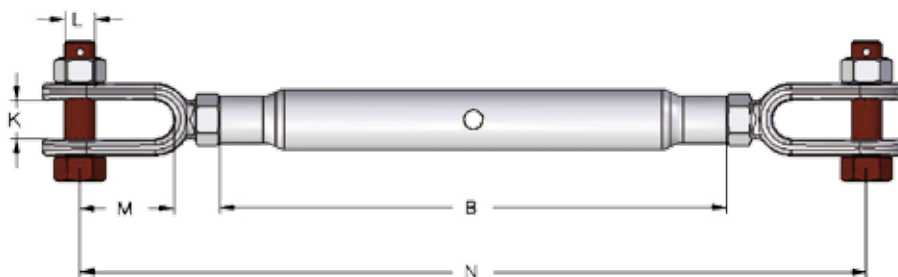


Art. no.	Dimension Bolt D1 mm	Dim. body D mm	Measurement (mm)		Weight ca kgs/100	Packing qty
			A	C		
G007836050	5	5	10	19	1.7	50
G007836060	6	6	13	25	3	50
G007836080	8	8	16	32	6.7	50
G007836100	10	10	19	38	12.3	50
G007836120	12	12	25	51	23	10
G007836160	16	16	32	64	56	5
G007836200	20	20	38	76	100	5
G007836220	22	22	44	89	145	5
G007836240	25	25	51	100	220	5

## Alloy Steel Rigging Screw, no. 801

Grade 6

Standard:	Working load acc. to U.S. Fed. spec. FF-T-791.b Supplied with closed body from 2,5-17 T, larger dimensions open body.
Material:	Quenched and tempered alloy steel
Surface treatment:	Hot dip galvanized
Safety factor:	5:1
Certificate:	Test certificate and traceable 3.1 certificate can be supplied on request.



3

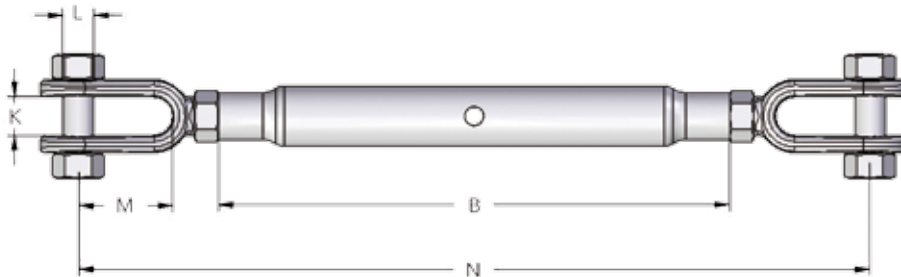
Art. no.	Thread	WLL	Take up	B	N	K	L	M	F	G	H	Weight
Jaw/Jaw	M/UNC	tonnes	range									appr
			mm									kgs/ea
A801420	M 20	2.5	210	270	455	20	16	50	16	24	50	2.3
A801424	M 24	5	250	340	570	28	22	65	19	28	56	4.6
A801432	1.1/4"	7	270	370	680	38	28	85	22	35	70	8
A801438	1.1/2"	10	300	420	790	45	32	100	25	40	78	14
A801445	1.3/4"	13	360	500	870	50	39	105	30	45	90	24
A801450	2"	17	450	600	1030	58	45	120	35	45	100	38
A801464	*2.1/2"	27.2	600	800	1490	75	57	140				73
A801470	*2.3/4"	34	600	800	1570	89	70	145				98

\* Open turnbuckle body without nut and split pin

Art. no	Art. no
Jaw/Eye	Eye/Eye
A802420	A804420
A802424	A804424
A802432	A804432
A802438	A804438
A802445	A804445
A802450	A804450

## Rigging Screw no. 401, Hot Dip Galvanized

Design: Jaw-Jaw (jaw-eye and eye-eye on request)  
 Standard: Acc.to B.S. 4429, closed body - with locking nut  
 Material: St. 42/St. 52, normalized  
 Surface treatment: Hot dip galvanized (M6 & M8 zinc plated)  
 Safety factor: 5:1  
 Certificate: Dim. M10 - 2". Can be supplied with test certificate on request.  
**Note: Dim. M6 – M8 not recommended for lifting purpose.**



Art. no. Jaw/ Jaw	Art. no. Jaw/ Eye	Thread M/UNC	WLL tonnes	Take up range mm	B	N	L	M	K	H	G	F	Weight appr. kg/pcs
A401406	A402406	M 6 *	-	80	100	175	5	18	8	11	11	5	0.13
A401408	A402408	M 8 *	-	85	110	210	6	25	9	12	12	6	0.25
A401410	A402410	M 10	-	90	125	225	8	20	10	13	13	7	0.3
A401412	A402412	M 12	-	155	195	315	10	30	13	30	15	10	0.65
A401416	A402416	M 16	-	185	230	380	12	44	18	40	20	12	1.25
A401420	A402420	M 20	-	210	270	450	16	50	20	50	24	16	2.2
A401422	A402422	M 22	2.2	230	295	500	20	60	25	50	24	16	3.3
A401424	A402424	M 24	3.2	250	325	555	22	65	28	56	28	19	4.6
A401432	A402432	1.1/4"	4.8	290	370	680	28	85	38	70	35	22	8.5
A401438	A402438	1.1/2"	6	300	400	760	32	100	45	80	40	25	14.5
A401445	A402450	1.3/4"	8.5	290	400	760	38	105	50	90	45	30	20.9
A401452	A402452	2"	11	290	400	820	45	120	58	100	45	35	24

\* Zink plated

Forging tolerance: +/- 5% on inside width/length.

## Turnbuckle, Open Body Acc. to U.S. Fed. Spec. FF-T-791

Surface treatment: Hot dip galvanized  
 Material: SAE 1035, Alloyed steel  
 Certificate: On request (extra cost)  
 Safety factor: 5:1

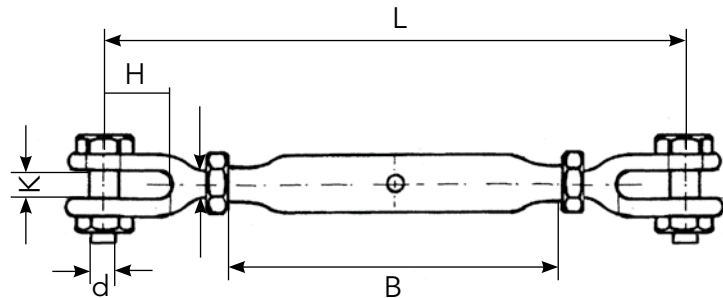
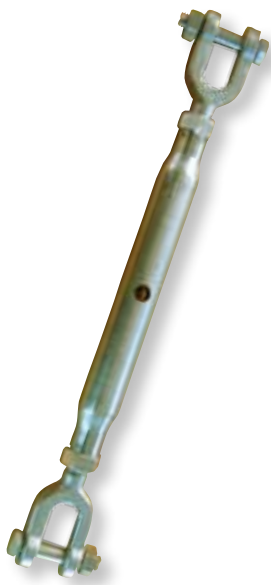
WLL and other dimensions, see page 3:17.



Art. no. Jaw/Jaw	Dia. thread inch	Take up range mm	Min. length mm	Weight KL-KL kgs
G006784010	3/8	150	302	0.4
G006784012	1/2	150	338	0.7
G006784112	1/2	230	414	0.8
G006784212	1/2	300	490	1
G006784016	5/8	150	394	1.4
G006784116	5/8	230	470	1.3
G006784216	5/8	300	546	1.5
G006784020	3/4	150	432	1.9
G006784120	3/4	230	508	2.3
G006784220	3/4	300	584	2.6
G006784320	3/4	460	737	3.1
G006784022	7/8	300	625	3.7
G006784122	7/8	460	778	4.1
G006784024	1	150	524	4.3
G006784124	1	300	676	5.1
G006784224	1	460	829	6.6
G006784324	1	610	980	7.9
G006784030	1 1/4	300	760	9.5
G006784130	1 1/4	460	912	11.6
G006784230	1 1/4	610	1064	13
G006784039	1 1/2	300	823	13.6
G006784139	1 1/2	460	975	14.3
G006784239	1 1/2	610	1128	18.4
G006784045	1 3/4	460	1060	25
G006784145	1 3/4	610	1213	28.7
G006784052	2	610	1315	45.4
G006784064	2 1/2	610	1486	73
G006784072	2 3/4	610	1562	98

## Rigging Screw, jaw-jaw, Hot Dip Galvanized

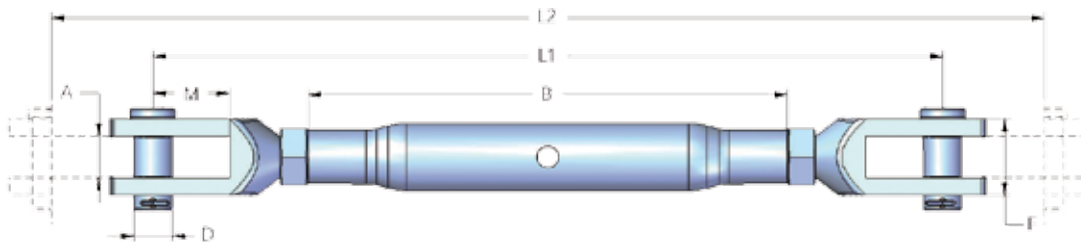
Commercial quality. Not for lifting purposes.



Art. no	Thread	B	K	H	d	L	Pcs / pack
G006780606	M 6	100	7	19	5	180	20
G006780608	M 8	108	9	25	6	205	20
G006780610	M 10	125	10.5	26	8	230	20
G006780612	M 12	195	13	32	10	330	10
G006780616	M 16	230	18	39	12	400	5
G006780620	M 20	270	20	46	16	470	5
G006780624	M 24	325	30	63	22	580	5

## Stainless Steel Rigging Screw, Jaw-Jaw

Material: AISI 316

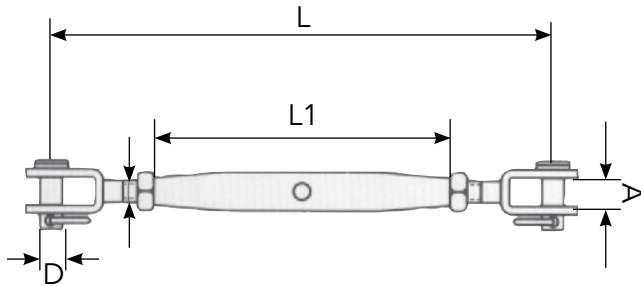


Art. no.	Thread UNF	Wire mm	Length body B	Length min. L1	Length max. L2	D	A	M	F	Breaking load tonnes	Weight appr. kg/ea
A764806	1/4" - 6"	3	90	145	210	6	7.8	12.5	15	1.5	0.1
A764808	5/16" - 8"	4	100	165	240	8	9.1	14	17	2.3	0.1
A764810	3/8" - 10"	5	115	195	270	9.5	10.1	17	20	3.5	0.3
A764811	7/16" - 11"	6	130	220	300	11	11	20	22	4.6	0.4
A764812	1/2" - 12"	7-8	155	270	375	12.7	13	20	25	6.2	0.6
A764816	5/8" - 16"	8-10	190	320	450	15	16	30	30	7.7	1.1
A764820	3/4" - 20"	10-12	240	420	570	18	20	35	45	12.5	2.1
A764824	1" - 24"	14-16	325	520	740	22	28	65	51	20	5.1



## Stainless Rigging Screw, Jaw-Jaw Commercial quality

Material: AISI 304

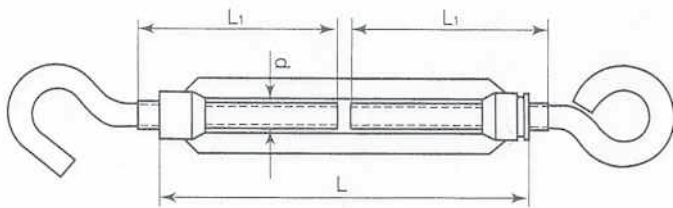


Art. no.	Thread	L	L1	A	D	Pack. size
G006782606	M 6	155	95	7.5	6.2	10
G006782608	M 8	180	105	10	8.7	10
G006782610	M 10	220	125	12	9.7	10
G006782612	M 12	255	150	14	12.6	10
G006782616	M 16	320	190	16	16	5



3

## Rigging Screw, Hook/Eye, Galvanized, Commercial Quality

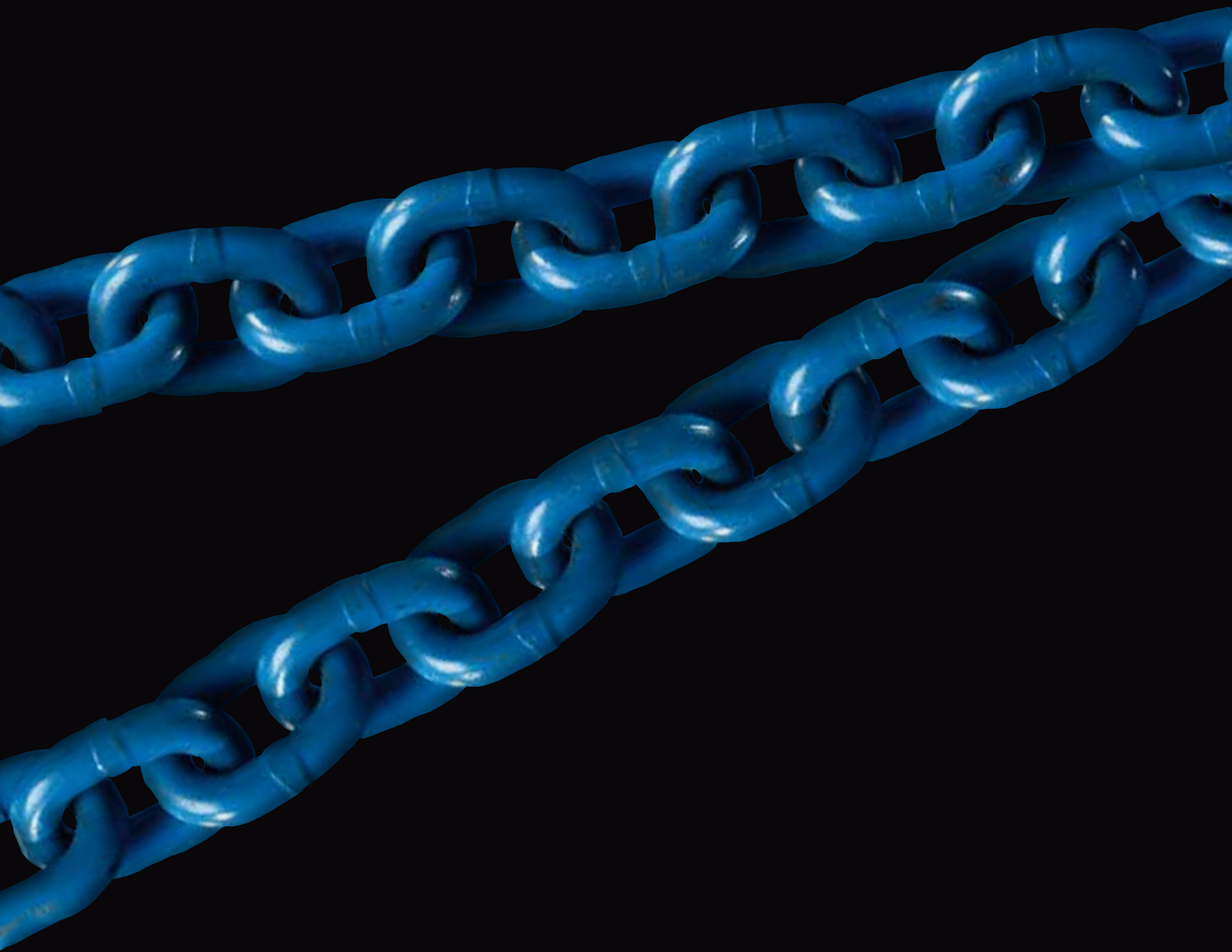


Art. no.	Thread M	Measurement, mm			Pack. size
		L	L1	dim.	
G006990500	M 5	70	35	5	25
G006990501	M 6	100	50	6	25
G006990502	M 8	110	55	8	25
G006990503	M 10	120	60	10	20
G006990507	M 12	130	65	12	10



# Chain

Chain • Security Chain



**GUNNEBO**  
LIFTING