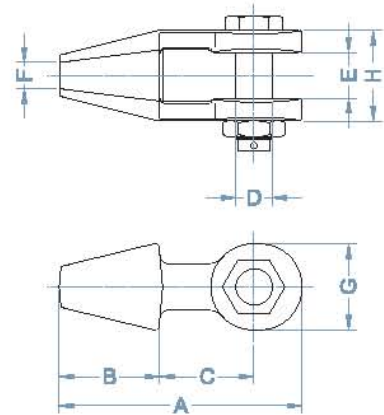


OPEN SPELTER SOCKET BOLT/NUT TYPE



SPECIFICATION

Product Code	Size (inch)	SWL (WLL) (ton)	Dimension(mm)								Weight (kg)
			A	B	C	D	E	F	G	H	
SKOB-001	16	2.6	171	76	63	25	32	20	57	64	1.7
SKOB-002	18	3.3	202	92	76	28	38	23	66	72	2.6
SKOB-003	20	4.1	202	92	76	31	38	25	66	72	2.8
SKOB-004	22	5.1	235	102	91	34	45	30	80	85	4.4
SKOB-005	24	5.9	268	114	103	37	51	32	95	100	7.1
SKOB-006	25	6.9	268	114	103	40	51	33	95	100	7.7
SKOB-007	28	8	294	125	114	43	57	36	105	111	9.2
SKOB-008	30	9.2	294	125	114	46	57	38	105	111	9.7
SKOB-009	32	10.5	335	140	130	49	64	40	121	124	14.4
SKOB-010	34	11.5	335	140	130	52	64	42	121	124	14.5
SKOB-011	36	13	384	157	152	55	76	44	137	144	22.7
SKOB-012	38	14.5	384	157	152	58	76	47	137	144	24.1

- **Material**_ Forged carbon steel
- **Test Load**_ Proof Load = SWL(WLL)×2, Breaking Load = SWL(WLL)×5
- **Surface**_ Self Color / Hot Dip Galvanized
- **Reference**_ Federal specification, RR-S-550D
Japanese industrial standards, JIS F 3432
- **ETC**_ 16~22mm size spelter socket have only one groove, 22~38mm size have two groove,
Available certificate of NDT (M/T, U/T), 3rd Inspection test report.
Special size, design and, another material will can supply as your requirement.