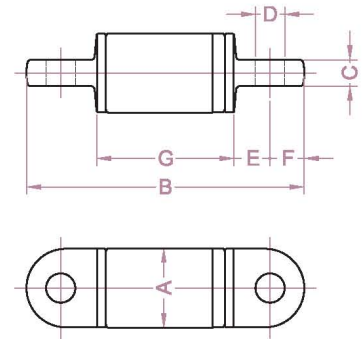


# BEARING SWIVEL EYE & EYE

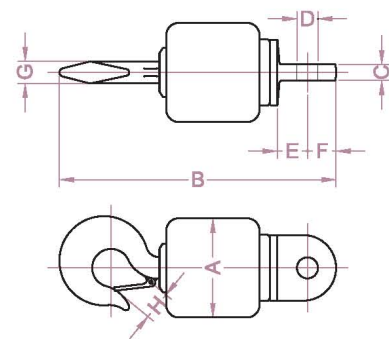


## SPECIFICATION

Product Code	Size (ton)	SWL (WLL) (ton)	Dimension(mm)							Weight (kg)
			A	B	C	D	E	F	G	
BSEE-001	1	1	49	174	12.5	21	24	23	80	1.4
BSEE-002	2	2	68	223	19	22	27	25	119	3.5
BSEE-003	3	3	79	278	26	29	36	34	138	6.5
BSEE-004	5	5	89	286	26	31	36	34	146	7.8
BSEE-005	8	8	106	364	40	43	48	46	176	15
BSEE-006	10	10	118	388	40	49	48	46	200	19
BSEE-007	15	15	128	457	40	49	64	52	225	27
BSEE-008	20	20	118	476	40	51	64	52	244	25.2
BSEE-009	30	30	138	612	64	59	70	70	332	-
BSEE-010	40	40	168	760	68	65	90	80	420	-

- **Material**\_ Carbon Steel
- **Test Load**\_ Proof Load = SWL(WLL)×2, Breaking Load = SWL(WLL)×5
- **Surface**\_ Painting (Spray painted)

# BEARING SWIVEL EYE & HOOK



## SPECIFICATION

Product Code	Size (ton)	SWL (WLL) (ton)	Dimension(mm)								Weight (kg)
			A	B	C	D	E	F	G	H	
BSEH-001	1	1	98	286	19	22	27	25	26	24	7
BSEH-002	2	2	118	327	26(19)	25	36	34	26	24	11.5
BSEH-003	3	3	138	391	26(21)	31	36	34	34	34	17.5
BSEH-004	5	5	158	443	26(21)	31	36	34	38	41	27.6

- **Material**\_ Carbon Steel
- **Test Load**\_ Proof Load = SWL(WLL)×2, Breaking Load = SWL(WLL)×5
- **Surface**\_ Painting (Spray painted)