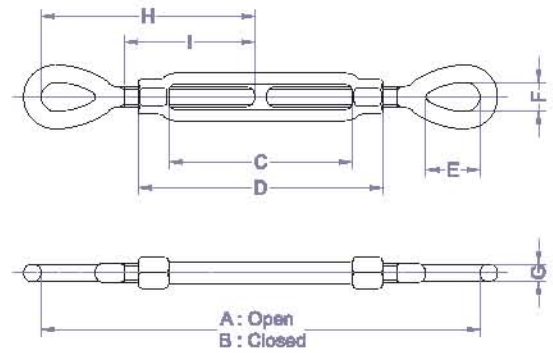


TURNBUCKLE EYE & EYE



SPECIFICATION

Product Code	Size (inch)	SWL (WLL) (ton)	Dimension (mm)									Weight (kg)
			A	B	C	D	E	F	G	H	I	
TBEE-001	3/8×6	0.5	428	286	152	180	28	13	9	143	97	0.3
TBEE-002	1/2×6	1	468	328	152	188	36	18	11	164	103	0.5
TBEE-003	1/2×9	1	621	404	229	265	36	18	11	202	141	0.9
TBEE-004	1/2×12	1	773	480	305	341	36	18	11	240	179	1.1
TBEE-005	5/8×6	1.6	502	366	152	198	44	22	12.5	183	109	1.3
TBEE-006	5/8×9	1.6	653	440	229	275	44	22	12.5	220	147	1.5
TBEE-007	5/8×12	1.6	807	518	305	351	44	22	12.5	259	185	1.6
TBEE-008	3/4×6	2.4	545	412	152	208	53	25	16	206	116	1.8
TBEE-009	3/4×9	2.4	698	488	229	285	53	25	16	244	154	2.2
TBEE-010	3/4×12	2.4	850	564	305	361	53	25	16	282	192	2.5
TBEE-011	3/4×18	2.4	1154	716	457	513	53	25	16	358	268	3.3
TBEE-012	7/8×12	3.3	885	602	305	371	60	32	19	301	198	3.3
TBEE-013	7/8×18	3.3	1189	754	457	523	60	32	19	377	274	4.9
TBEE-014	1×6	4.5	633	506	152	228	75	36	22	253	128	4
TBEE-015	1×12	4.5	938	658	305	381	75	36	22	329	204	5.3
TBEE-016	1×18	4.5	1242	810	457	533	75	36	22	405	280	6.3
TBEE-017	1×24	4.5	1549	964	610	686	75	36	22	482	357	8
TBEE-018	1-1/4×12	6.9	995	722	305	385	90	46	28	361	212	8.6
TBEE-019	1-1/4×18	6.9	1307	882	457	537	90	46	28	441	288	10.1
TBEE-020	1-1/4×24	6.9	1604	1026	610	690	90	46	28	513	364	11.8
TBEE-021	1-1/2×12	9.7	1043	776	305	401	103	54	32	388	222	12.6
TBEE-022	1-1/2×18	9.7	1347	928	457	553	103	54	32	464	298	14.8
TBEE-023	1-1/2×24	9.7	1652	1080	610	706	103	54	32	540	374	17
TBEE-024	1-3/4×18	12.7	1415	1002	457	570	117	60	38	501	310	22.2
TBEE-025	1-3/4×24	12.7	1719	1154	610	722	117	60	38	577	386	25.7
TBEE-026	2×24	16.8	1870	1310	610	738	146	68	45	655	405	39.6
TBEE-027	2-1/2×24	27.2	1935	1388	610	790	165	79	51	694	440	72.8
TBEE-028	2-3/4×24	34	1988	1448	610	790	178	83	57	724	440	84.1

- **Material**_ Forged carbon steel
- **Test Load**_ Proof Load = SWL(WLL)×2.5, Breaking Load = SWL(WLL)×5
- **Surface**_ Hot Dip Galvanized
- **Reference**_ American society of testing materials, ASTM F 1145
- **ETC**_ Available certificate of NDT (M/T, U/T), 3rd Inspection test report.
Special size, design and, another material will can supply as your requirement.