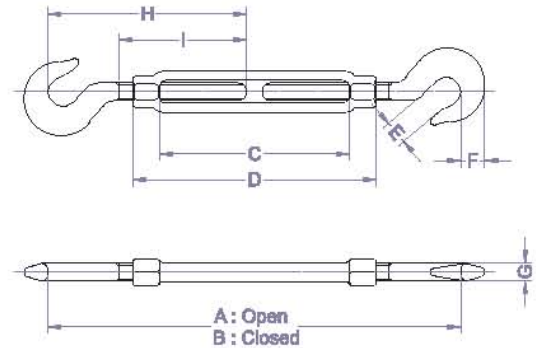


TURNBUCKLE HOOK & HOOK



SPECIFICATION

Product Code	Size (inch)	SWL (WLL) (ton)	Dimension(mm)									Weight (kg)
			A	B	C	D	E	F	G	H	I	
TBHH-001	3/8×6	0.5	414	272	152	180	14	14.5	9.5	136	97	0.4
TBHH-002	1/2×6	0.7	442	302	152	188	16	18	13	151	103	0.8
TBHH-003	1/2×9	0.7	595	378	229	265	16	18	13	189	141	0.9
TBHH-004	1/2×12	0.7	747	454	305	341	16	18	13	227	179	1.1
TBHH-005	5/8×6	1	478	342	152	198	22	22	16	171	109	1.2
TBHH-006	5/8×9	1	631	418	229	275	22	22	16	209	147	1.5
TBHH-007	5/8×12	1	783	494	305	351	22	22	16	247	185	1.6
TBHH-008	3/4×6	1.4	513	380	152	208	24	26.5	19	190	116	1.8
TBHH-009	3/4×9	1.4	666	456	229	285	24	26.5	19	228	154	2.4
TBHH-010	3/4×12	1.4	818	532	305	361	24	26.5	19	266	192	2.5
TBHH-011	3/4×18	1.4	1122	684	457	513	24	26.5	19	342	268	3.7
TBHH-012	7/8×12	1.8	859	576	305	371	29	30	22	288	198	3.7
TBHH-013	7/8×18	1.8	1163	728	457	523	29	30	22	364	274	4.5
TBHH-014	1×6	2.3	579	452	152	228	32	36	26	226	128	4.2
TBHH-015	1×12	2.3	884	604	305	381	32	36	26	302	204	5.4
TBHH-016	1×18	2.3	1188	756	457	533	32	36	26	378	280	6.4
TBHH-017	1×24	2.3	1495	910	610	686	32	36	26	455	357	7.8
TBHH-018	1-1/4×12	3	931	658	305	385	38	37	30	329	212	9.3
TBHH-019	1-1/4×18	3	1235	810	457	537	38	37	30	405	288	10.4
TBHH-020	1-1/4×24	3	1540	962	610	690	38	37	30	481	364	12.3
TBHH-021	1-1/2×12	3.4	1001	734	305	401	47	45	33	367	222	11.9
TBHH-022	1-1/2×18	3.4	1305	886	457	553	47	45	33	443	298	14.0
TBHH-023	1-1/2×24	3.4	1612	1040	610	706	47	45	33	520	374	16.4

- **Material**_ Forged carbon steel
- **Test Load**_ Proof Load = SWL(WLL)×2.5, Breaking Load = SWL(WLL)×5
- **Surface**_ Hot Dip Galvanized
- **Reference**_ American society of testing materials, ASTM F 1145
- **ETC**_ Available certificate of NDT (M/T, U/T), 3rd Inspection test report.
Special size, design and, another material will can supply as your requirement.